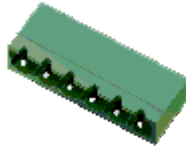


# Pro Components

## TB293 SERIES

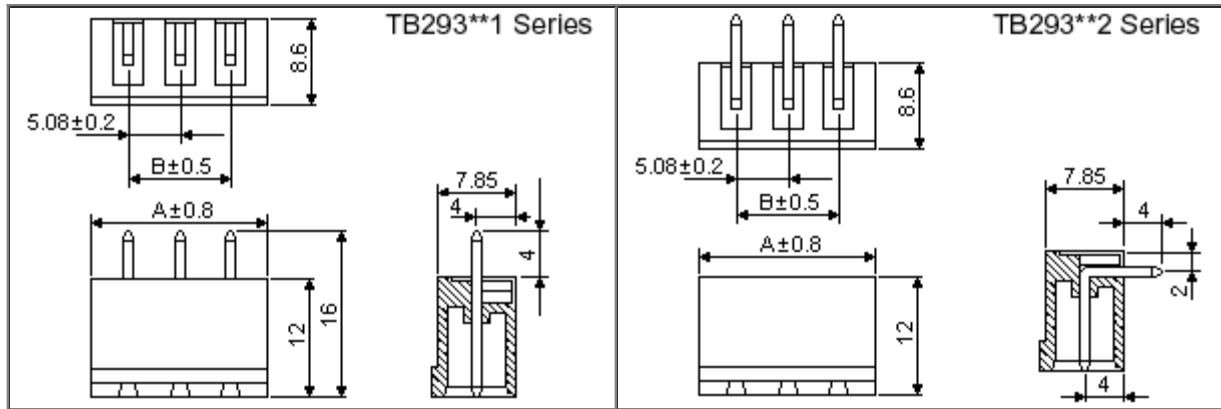


**TB293**

### SPECIFICATIONS:

Housing material: Polyamide 66 (UL 94V-0) resin  
 Terminals: Tin plated over Brass  
 Screws: Zinc plated over Steel  
 Wire cage: Nickel Plated over Zinc Alloy  
 Wire protector: Nickel plated over Brass  
 Dielectric strength: 2000 VAC (Min.)  
 Wire range: 12 AWG to 24 AWG  
 Insulation resistance: 500 MΩ 500 VDC  
 Rated: 10 Amp, 300 VAC

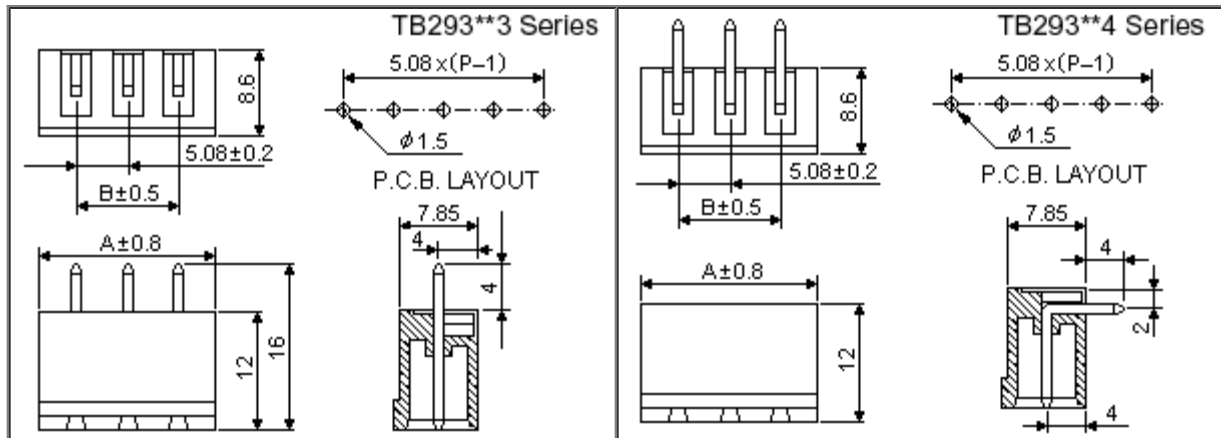
**PITCH=5.08mm (0.2inch)**  
**WIRE RANGE: 12-24 AWG**



DIMENSIONS: mm(inch)

\*\*NUMBER OF POLE 02~16

POLE	2	3	4	5	6	7	8	9	10	11	12	13	14	15	16
A±0.8	12.18 (0.480)	17.26 (0.680)	22.34 (0.880)	27.42 (1.080)	32.5 (1.280)	37.58 (1.480)	42.66 (1.680)	47.74 (1.880)	52.82 (2.080)	57.9 (2.280)	62.98 (2.480)	68.06 (2.680)	73.14 (2.880)	78.22 (3.080)	83.31 (3.280)
B±0.5	5.08 (0.200)	10.16 (0.400)	15.24 (0.600)	20.32 (0.800)	25.4 (1.000)	30.48 (1.200)	35.56 (1.400)	40.64 (1.600)	45.72 (1.800)	50.8 (2.000)	55.88 (2.200)	60.96 (2.400)	66.04 (2.600)	71.12 (2.800)	76.2 (3.000)



DIMENSIONS: mm(inch)

\*\*NUMBER OF POLE 02~16

POLE	2	3	4	5	6	7	8	9	10	11	12	13	14	15	16
A±0.8	10.16 (0.400)	15.24 (0.600)	20.32 (0.800)	25.4 (1.000)	30.48 (1.200)	35.56 (1.400)	40.64 (1.600)	45.72 (1.800)	50.8 (2.000)	55.88 (2.200)	60.96 (2.400)	66.04 (2.600)	71.12 (2.800)	76.2 (3.000)	81.28 (3.200)
B±0.5	5.08 (0.200)	10.16 (0.400)	15.24 (0.600)	20.32 (0.800)	25.4 (1.000)	30.48 (1.200)	35.56 (1.400)	40.64 (1.600)	45.72 (1.800)	50.8 (2.000)	55.88 (2.200)	60.96 (2.400)	66.04 (2.600)	71.12 (2.800)	76.2 (3.000)

## FEATURES

- Special wire protector design to ensure reliable wire clamping
- Be capable of clamping a wide range of wire diameters
- The male connector of plug is mounted and soldered to the P.C.B.
- The female socket using a twin leaf phosphor bronze contact mates with the male
- UL 94V-0 grade fire retardant engineering plastic used for the housing
- Good for insertion & withdrawal

## PART NUMBERING SYSTEM

TB     293 XX     X     X     XX  
|       |       |       |       |  
+----- Special number  
+----- Housing color:  
          B:Blue, G:Green, K:Black  
+----- Terminal type:  
          1: Straight pin type  
          2: Right angle type  
          3: Straight pin and stackable type  
          4: Right angle and stackable type  
+----- Number of pins  
+----- Series: Dimensions and rated  
          293: Female socket (Pitch=5.08mm)  
+---- Model