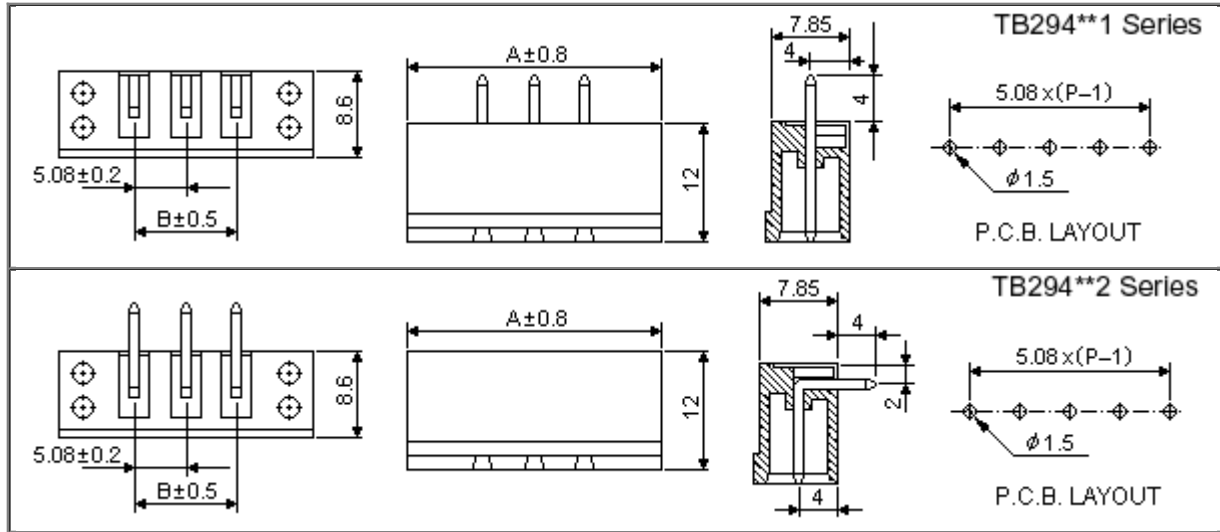


TB294

SPECIFICATIONS:

Housing material: Polyamide 66 (UL 94V-0) resin
 Terminals: Tin plated over Brass
 Screws: Zinc plated over Steel
 Wire cage: Nickel Plated over Zinc Alloy
 Wire protector: Nickel plated over Brass
 Dielectric strength: 2000 VAC (Min.)
 Wire range: 12 AWG to 24 AWG
 Insulation resistance: 500 MΩ, 500 VDC
 Rated: 10 Amp, 300 VAC

PITCH=5.08mm (0.2inch)
WIRE RANGE: 12-24 AWG



DIMENSIONS: mm(inch)

**NUMBER OF POLE 02~16

POLE	2	3	4	5	6	7	8	9	10	11	12	13	14	15	16
A±0.8	20.32 (0.800)	25.4 (1.000)	30.48 (1.200)	35.56 (1.400)	40.64 (1.600)	45.72 (1.800)	50.8 (2.000)	55.8 (2.200)	60.96 (2.400)	66.04 (2.600)	71.12 (2.800)	76.2 (3.000)	81.28 (3.200)	86.36 (3.400)	91.44 (3.600)
B±0.5	5.08 (0.200)	10.16 (0.400)	15.24 (0.600)	20.32 (0.800)	25.4 (1.000)	30.48 (1.200)	35.56 (1.400)	40.64 (1.600)	45.72 (1.800)	50.8 (2.000)	55.8 (2.200)	60.96 (2.400)	66.04 (2.600)	71.12 (2.800)	76.2 (3.000)

FEATURES

- Special wire protector design to ensure reliable wire clamping
- Be capable of clamping a wide range of wire diameters
- The male connector of plug is mounted and soldered to the P.C.B.
- The female socket using a twin leaf phosphor bronze contact mates with the male
- UL 94V-0 grade fire retardant engineering plastic used for the housing
- Good for insertion & withdrawal

PART NUMBERING SYSTEM

