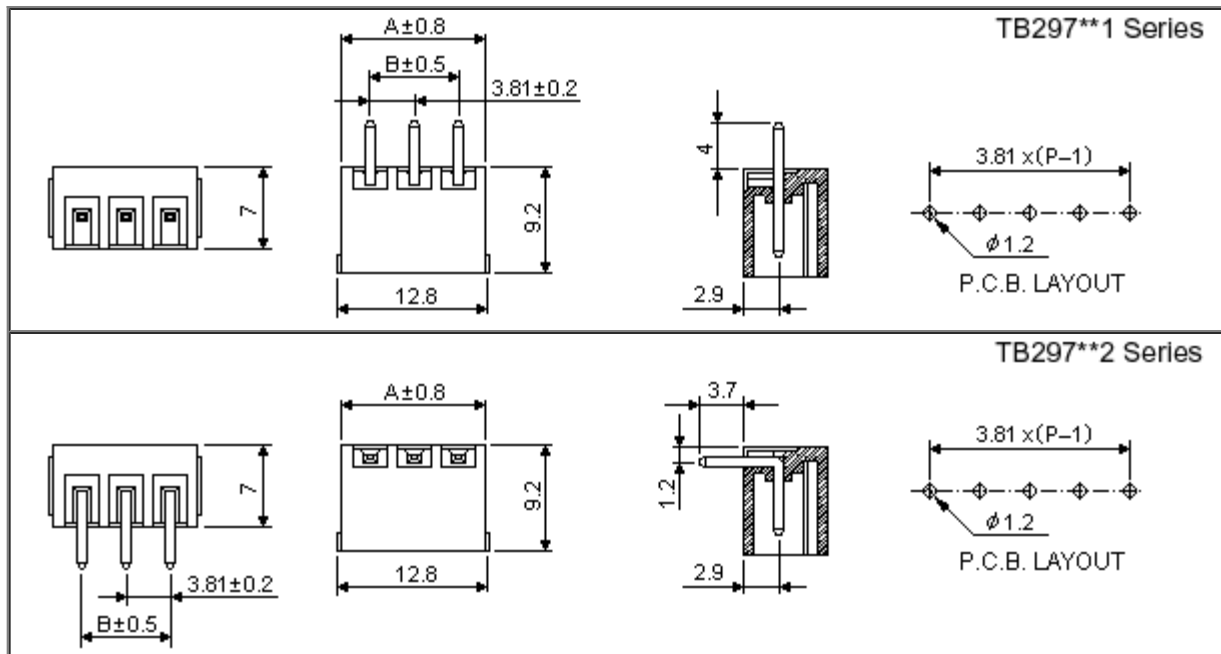


TB297

SPECIFICATIONS:

Housing material: Polyamide 66 (UL 94V-0) resin
 Terminals: Tin plated over Brass
 Screws: Zinc plated over Steel
 Wire cage: Nickel Plated over Zinc Alloy
 Wire protector: Nickel plated over Brass
 Dielectric strength: 2000 VAC (Min.)
 Wire range: 16 AWG to 28 AWG
 Insulation resistance: 500 MΩ, 500 VDC
 Rated: 8 Amp, 300 VAC

PITCH=3.81mm (0.15inch)
WIRE RANGE: 16-28 AWG



DIMENSIONS: mm(inch)

**NUMBER OF POLE 02~16

POLE	2	3	4	5	6	7	8	9	10	11	12	13	14	15	16
A±0.8	8.38 (0.330)	12.20 (0.480)	16.00 (0.630)	19.81 (0.780)	23.62 (0.930)	27.43 (1.080)	31.24 (1.230)	35.05 (1.380)	38.86 (1.530)	42.67 (1.680)	46.48 (1.830)	50.29 (1.980)	54.1 (2.130)	57.91 (2.280)	61.72 (2.430)
B±0.5	3.81 (0.150)	7.62 (0.300)	11.43 (0.450)	15.24 (0.600)	19.05 (0.750)	22.86 (0.900)	26.67 (1.050)	30.48 (1.200)	34.29 (1.350)	38.1 (1.500)	41.91 (1.650)	45.72 (1.800)	49.53 (1.950)	53.34 (2.100)	57.15 (2.250)

FEATURES

- Special wire protector design to ensure reliable wire clamping
- Be capable of clamping a wide range of wire diameters
- The male connector of plug is mounted and soldered to the P.C.B.
- The female socket using a twin leaf phosphor bronze contact mates with the male
- UL 94V-0 grade fire retardant engineering plastic used for the housing
- Good for insertion & withdrawal

