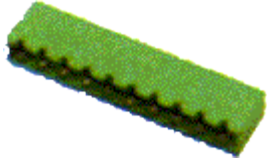


Pro Components

TB333 Series

UL Pending

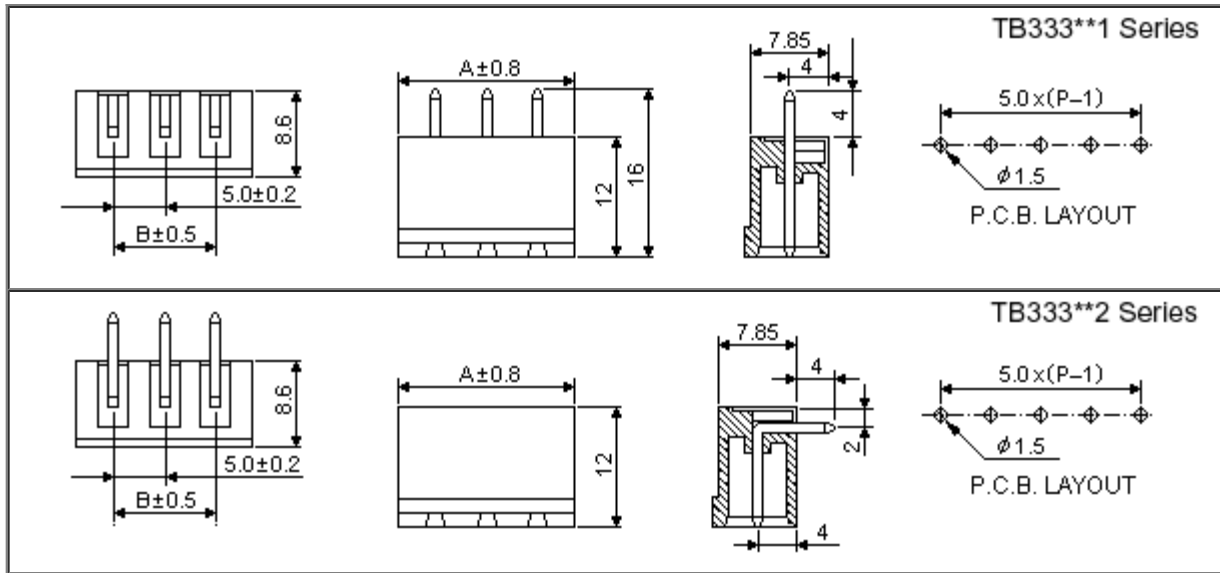


TB333

SPECIFICATIONS:

Housing material: Polyamide 66 (UL 94V-0) resin
 Terminals: Tin plated over Brass
 Screws: Zinc plated over Steel
 Wire cage: Nickel Plated over Zinc Alloy
 Wire protector: Nickel plated over Brass
 Dielectric strength: 2000 VAC (Min.)
 Wire range: 12 AWG to 24 AWG
 Insulation resistance: 500 MΩ, 500 VDC
 Rated: 10 Amp, 300 VAC

PITCH=5.0mm (0.197inch)
WIRE RANGE: 12-24 AWG



DIMENSIONS: mm(inch)

**NUMBER OF POLE 02~16

POLE	2	3	4	5	6	7	8	9	10	11	12	13	14	15	16
A±0.8	12.0 (0.472)	17.0 (0.669)	22.0 (0.866)	27.0 (1.063)	32.0 (1.260)	37.0 (1.457)	42.0 (1.654)	47.0 (1.850)	52.0 (2.047)	57.0 (2.244)	62.0 (2.440)	67.0 (2.638)	72.0 (2.835)	77.0 (3.031)	82.0 (3.228)
B±0.5	5.0 (0.197)	10.0 (0.394)	15.0 (0.590)	20.0 (0.787)	25.0 (0.984)	30.0 (1.181)	35.0 (1.378)	40.0 (1.575)	45.0 (1.772)	50.0 (1.969)	55.0 (2.165)	60.0 (2.362)	65.0 (2.559)	70.0 (2.756)	75.0 (2.953)

FEATURES

- Special wire protector design to ensure reliable wire clamping
- Be capable of clamping a wide range of wire diameters
- The male connector of plug is mounted and soldered to the P.C.B.
- The female socket using a twin leaf phosphor bronze contact mates with the male
- UL 94V-0 grade fire retardant engineering plastic used for the housing
- Good for insertion & withdrawal

PART NUMBERING SYSTEM

<u>TB</u>	<u>333</u>	<u>XXX</u>	<u>X</u>	<u>X</u>	<u>XX</u>	
						+----- Special number
						+----- Housing color: B:Blue, G:Green, K:Black
						+----- Terminal type: 1: Straight pin type 2: Right angle type
						+----- Number of pins
						+----- Series: Dimensions and rated 331: Male Connector of plug (Pitch=5.0mm) 333: Female socket (Pitch=5.0mm)
						+----- Model